

ART. 24

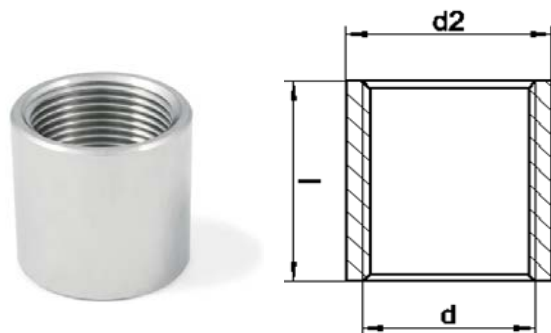
Manicotti filettati ricavati da tubo o massello
Threaded coupling, made from billet or pipe


Raccordi filettatura- UNI EN ISO 228-1:2003 (UNI 338)

Filettatura gas non a tenuta stagna (accoppiamento tra vite e madrevite cilindriche)

Threaded fittings according to UNI EN ISO 228-1:2003 (UNI 338)

Gas thread not watertight (Internal and external threads are parallel)



Codice Articolo* <i>Item Number*</i>	Codice Articolo* <i>Item Number*</i>	d (")	DN ID	d2 (mm)	l (mm)	 Box
AISI 304	AISI 316					
00240001802	00240001804	1/8"	6	14	18	10
00240001402	00240001404	1/4"	8	18	20	10
00240003802	00240003804	3/8"	10	22	21	10
00240001202	00240001204	1/2"	15	27	25	10
00240003402	00240003404	3/4"	20	32	30	10
00240010002	00240010004	1"	25	40	34	10
00240011402	00240011404	1"1/4	32	48	36	5
00240011202	00240011204	1"1/2	40	56	38	5

Fino a 1" ricavato da pieno, oltre da tubo meccanico.

Up to 1" from billet, over from mechanical pipe

last edit 11/04/2019

DRAWING N. 1038